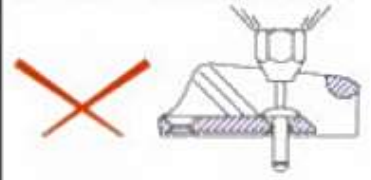
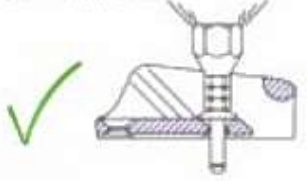


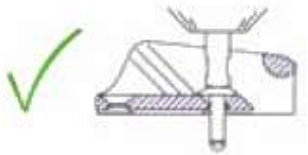
Standard rivet gun nozzles do not fit inside cleat.



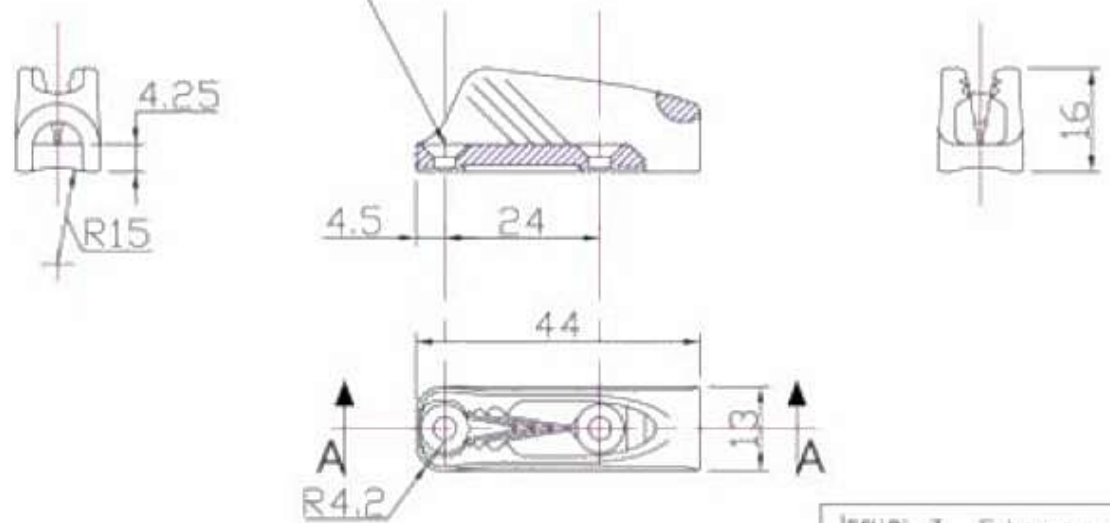
Use 2 or 3 nuts to extend nozzle.



Extended nozzle is best. Consult rivet gun supplier.



Section 'AA'
2 Holes Ø3.5
countersunk Ø7.5x90°



Clamcleat®
Rope cleats

Clamcleats Limited
Watchmead
Weiwyn Garden City
Hertfordshire AL7 1AP
England

Telephone +44 (0)1707 330101
Fax +44 (0)1707 321269
www.clamcleat.com

Scale 1:1
All dimensions in mm.

Issue: 3 February 2007
ID263.dwg

Material:
Nylon

Installation Drawing for: -
CL263
Micros